

Mini free-standing Beacons / LED-Permanent Light 211
LED Perm. Beacon BM 24VAC/DC GN



Part No.: 211.200.75



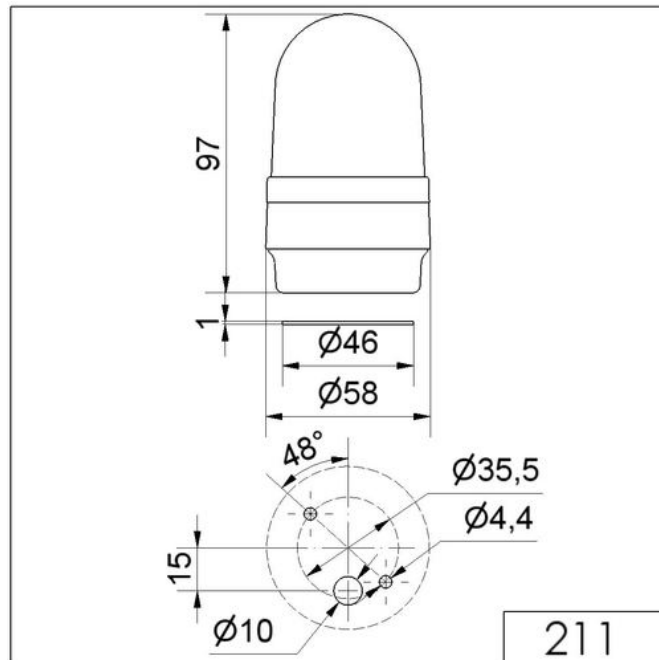
MECHANICAL DATA	
Height	97 mm
Diameter	58 mm
Materials	PA-GF PC
Dome colour	Green
Housing colour	Black
Protection category	IP65
Connection	Spring-type terminal
cross-sectional area maximum	2,50mm ² / 14AWG
Cable entry	Through hole
Cable entry maximum	d = 10 mm
Type of fixing	Base mounting
Service life optical	100,000 h maximum
Working temperature minimum	-20°C
Working temperature maximum	+50°C
Weight with packaging	92 g
Product weight	70 g
ELECTRICAL DATA	
Operating voltage	24V
Operating voltage type	AC/DC
Rated operational current	45 mA
Rated inrush current	500 mA
OPTICAL DATA	
Light source	LED
Light colour	Green
Optical signal image	Permanent



For additional installation and mounting information, refer to the appropriate user guide at www.werma.com. This printed copy is for information only and is subject to alteration.

Mini free-standing Beacons / LED-Permanent Light 211
LED Perm. Beacon BM 24VAC/DC GN

DRAWING



! For additional installation and mounting information, refer to the appropriate user guide at www.werma.com. This printed copy is for information only and is subject to alteration.